



Stainless steel Hygienic Bearing System



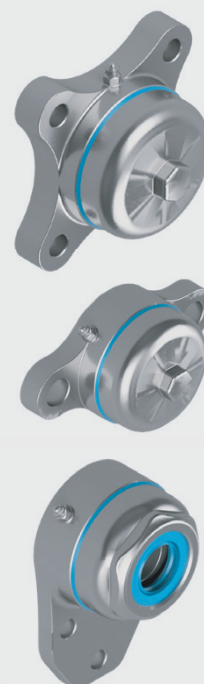


EQM HYGIENE LINE BALL BEARING UNITS

A complete range of stainless steel bearing units for the very challenging food and beverage industry. Strict cleaning regimes are necessary to eliminate contaminants and reduce the spread of bacteria. Regularly cleaning of the machinery means that the machines are frequently exposed to pressure washdowns with caustic, antibacterial cleaning agents. EQM Hygiene line ball bearing units offer a range of bearing solutions for such demanding environments. Standard made in stainless steel 316 (Wstnr. 1.44) O-rings and Hygienic seals. These bearing units are developed for demanding environments. EQM Hygiene line ball bearing units are designed to withstand frequent washdowns. Moreover the new bearing units solve many of the problems connected to traditional maintenance.

EQM Hygiene line Stainless steel ball bearing units have been developed for use in these demanding environments. The stainless steel hygienic surface design is developed to proactively eliminate contaminant traps and reduce the spread of bacteria. The blue optical and detectable hygienic seals and stainless steel housing are made to EHEDGE guidelines.

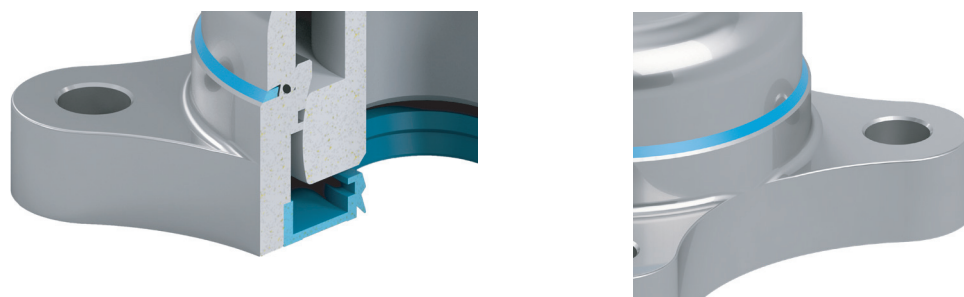
The EQM Hygiene line stainless steel bearing units are completely sealed units with open or closed endcover and backseal.



EQM HYGIENE LINE STAINLESS STEEL BEARING UNITS PROPERTIES

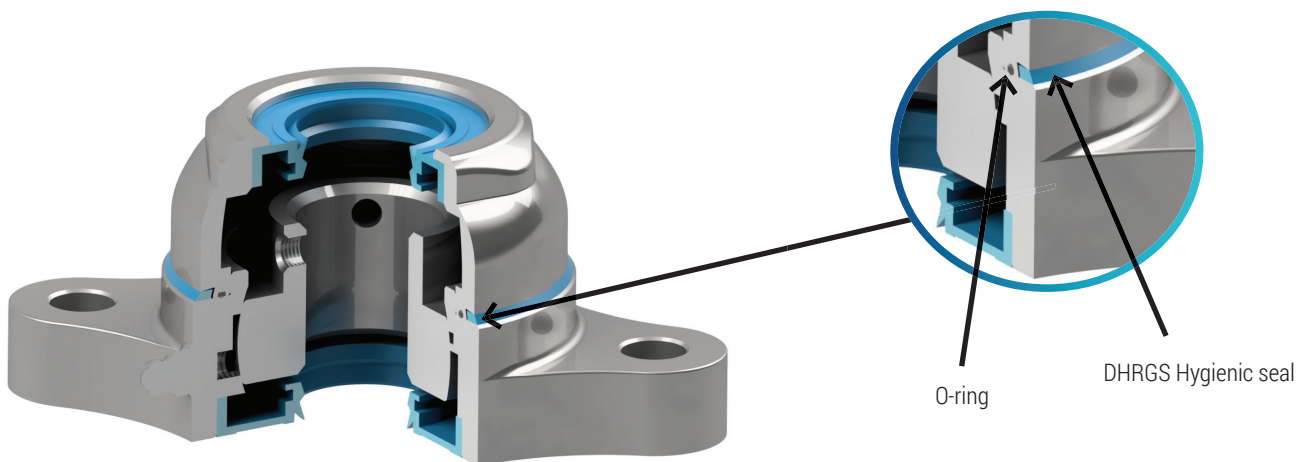
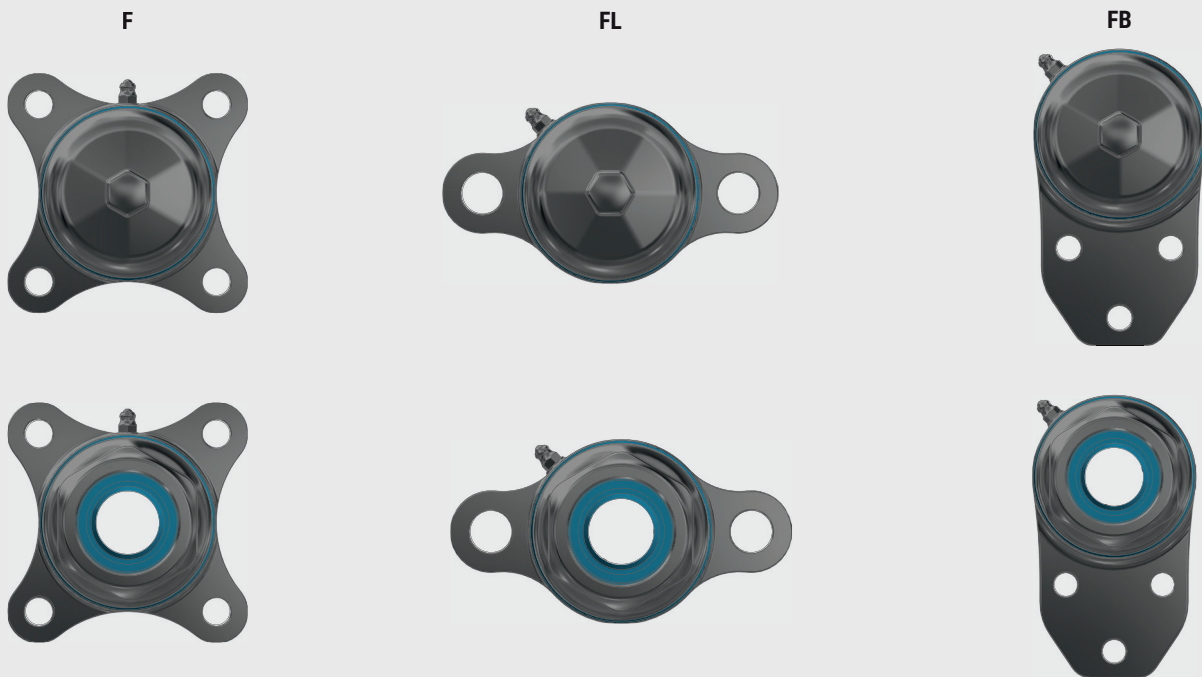
The bearing housing is designed to avoid crevices or recesses where soiling and bacteria might accumulate or become trapped. The housing has no sharp corners all surfaces are angled to prevent pooling. The flat surfaces on the housings are intended to use for installation the housings with EQM Hygiene line hygienic bolts and bonded seals. The smooth surface on the housing plays an important role to achieve easy cleanability and drainability.

The endcover is provided with an O-ring and a Hygienic seal offering maximum hygienic protection. The back seal offers an additional sealing protection to protect the bearing unit from shaft side contamination. All units are lubricated with NSF-approved foodgrade grease, the high-quality grease is registered by NSF as a category H1 grease.





EQM HYGIENE LINE DESIGNS

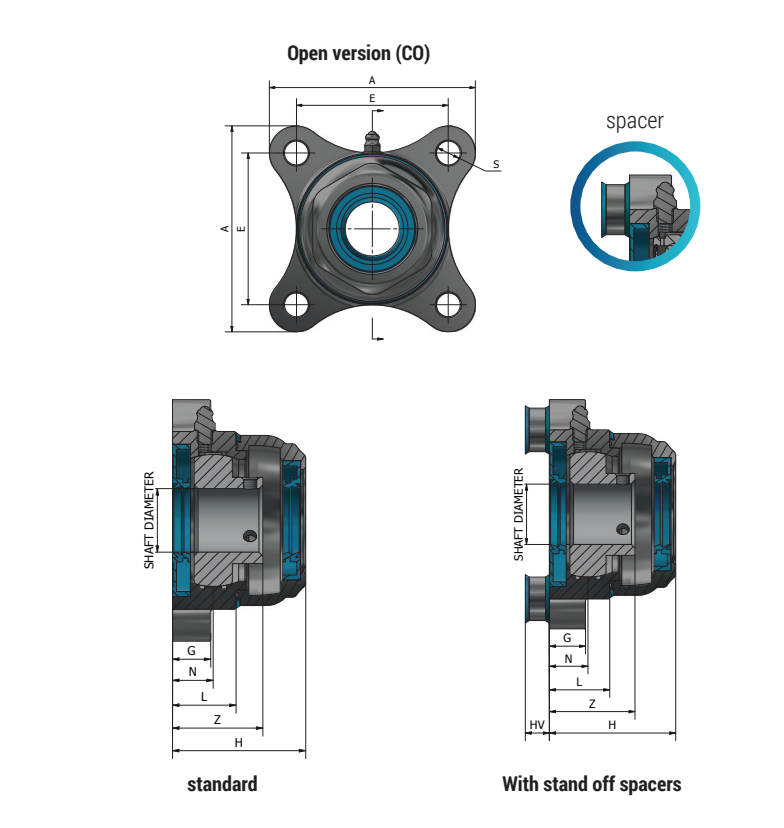
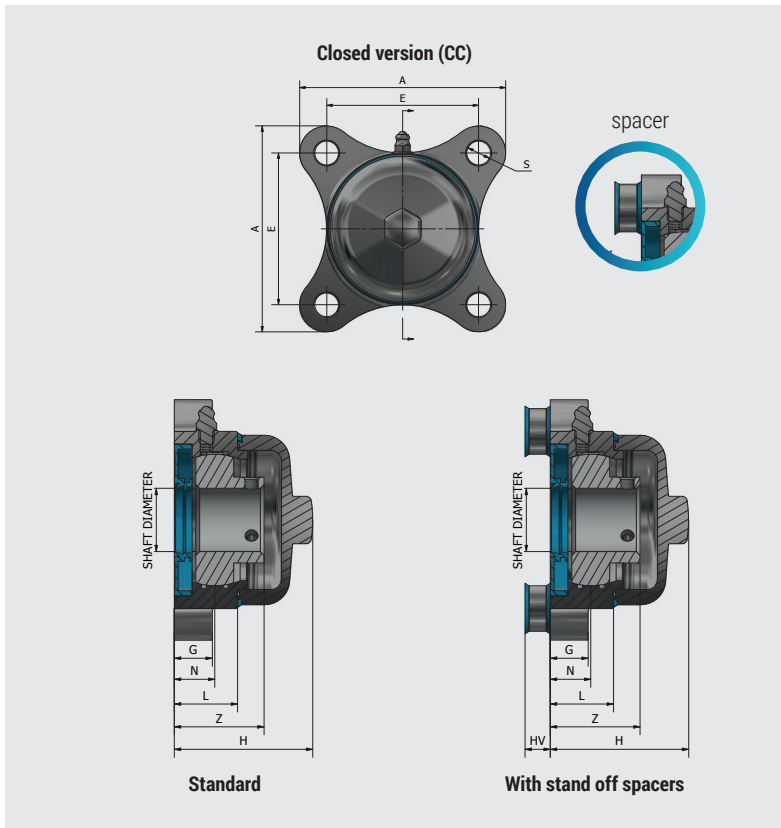


Alignment

When mounting EQM Hygiene line fully sealed ball bearing units it is important for the performance and longevity of the bearing that any misalignment is limited to +/- 1 degree.



DH LASS SB F EQM HYGIENE 4 HOLE SS FLANGED UNITS



TYPE	SHAFT Ø	A	E	G	H	HV	L	N	S	Z
DH LASS SB F CC 204	20	88	64	15	54,2	10	24	15	12	33
DH LASS SB F CO 204					51,9					
DH LASS SB F CC 205	25	95	70	15	54,7	10	25	16	12	35,5
DH LASS SB F CO 205					52,4					
DH LASS SB F CC 206	30	108	83	15	61	10	29	18	12	40
DH LASS SB F CO 206					58,7					
DH LASS SB F CC 207	35	117	92	17	64,7	10	31	19	14	42,5
DH LASS SB F CO 207					62,4					
DH LASS SB F CC 208	40	130	102	17	70	10	32	21	16	46
DH LASS SB F CO 208					70,7					
DH LASS SB F CC 209	45	135	105	18	71,5	10	33	22	16	53,7
DH LASS SB F CO 209					69,2					
DH LASS SB F CC 210	50	143	111	20	71	10	38	25	16	55
DH LASS SB F CO 210					72,7					

* All sizes in mm

For spacers see page 10



Stainless Steel SB insert, with grub screw

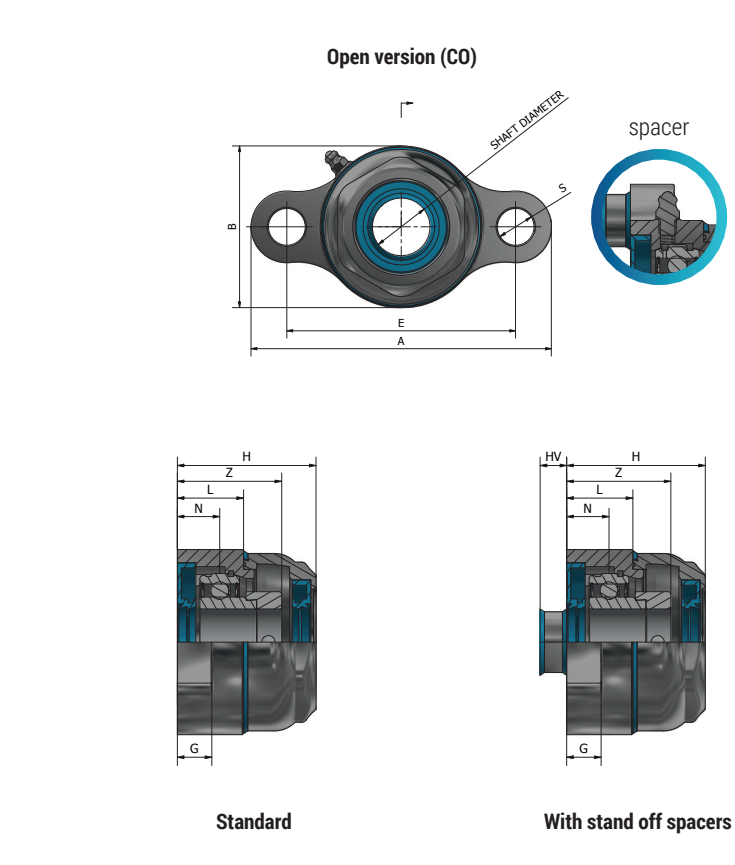
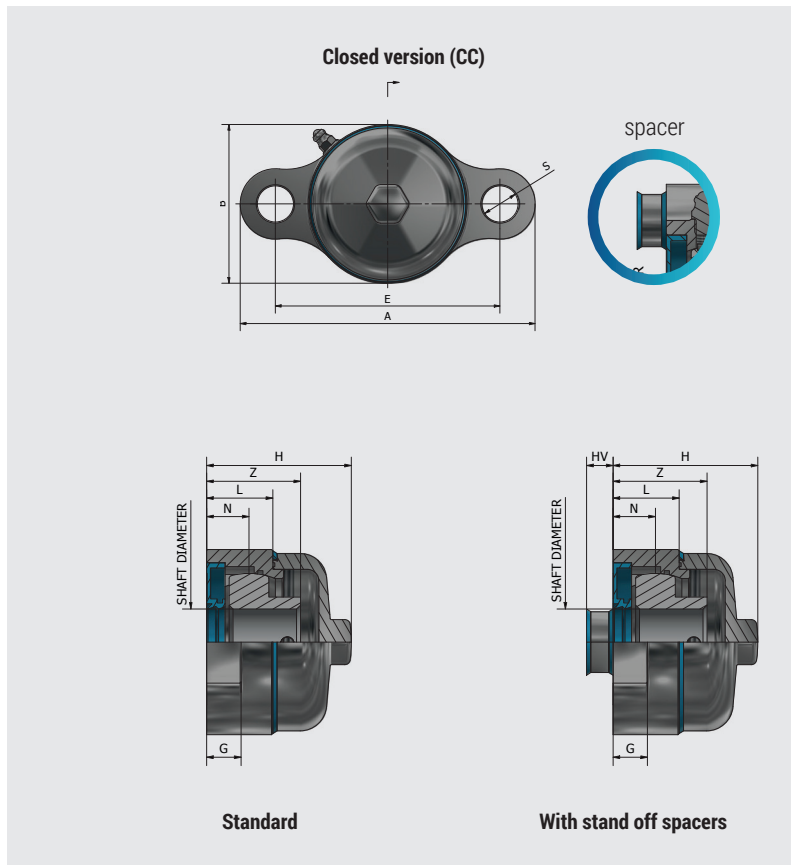


Stainless Steel SA insert, with eccentric ring

Available on request



DH LASS SB FL EQM HYGIENE 2 HOLE SS FLANGED UNITS



TYPE	SHAFT Ø	A	B	E	G	H	HV	L	N	S	Z
DH LASS SB FL CC 204	20	115	65	90	11	54,2	10	24	15	12	33
DH LASS SB FL CO 204						51,9					
DH LASS SB FL CC 205	25	130	70	99	13	54,7	10	25	16	16	35,5
DH LASS SB FL CO 205						52,4					
DH LASS SB FL CC 206	30	148	80	117	13	61	10	29	18	16	40
DH LASS SB FL CO 206						58,7					
DH LASS SB FL CC 207	35	161	90	130	15	64,7	10	31	19	16	42,5
DH LASS SB FL CO 207						62,4					
DH LASS SB FL CC 208	40	175	100	144	15	70	10	33	21	16	46
DH LASS SB FL CO 208						70,7					
DH LASS SB FL CC 209	45	188	110	148	16	71,5	10	33	22	19	53,7
DH LASS SB FL CO 209						69,2					
DH LASS SB FL CC 210	50	197	120	157	16	71	10	38	22	19	55
DH LASS SB FL CO 210						72,7					

* All sizes in mm
For spacers see page 10



Stainless Steel SB insert, with grub screw

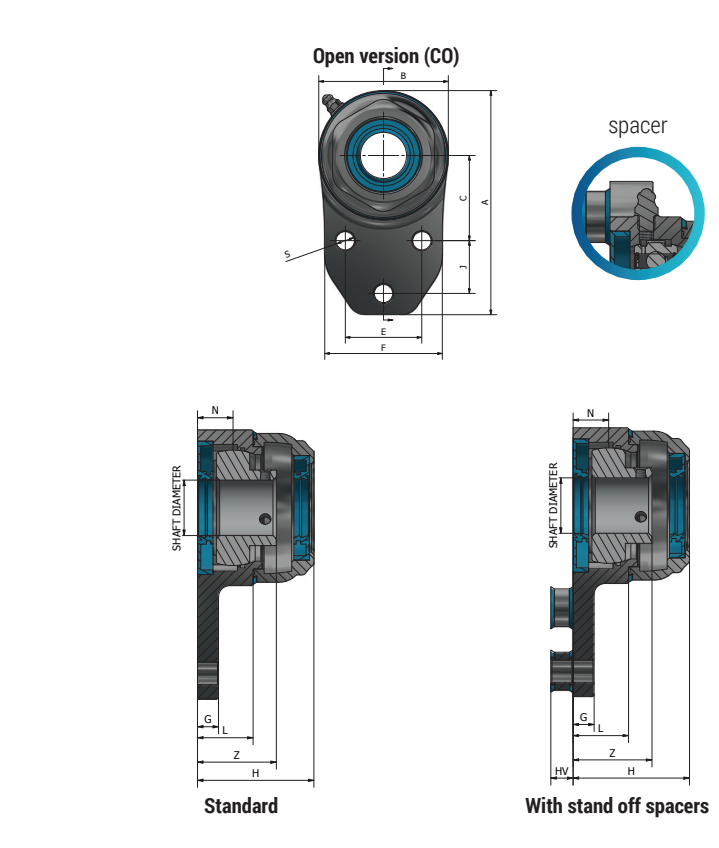
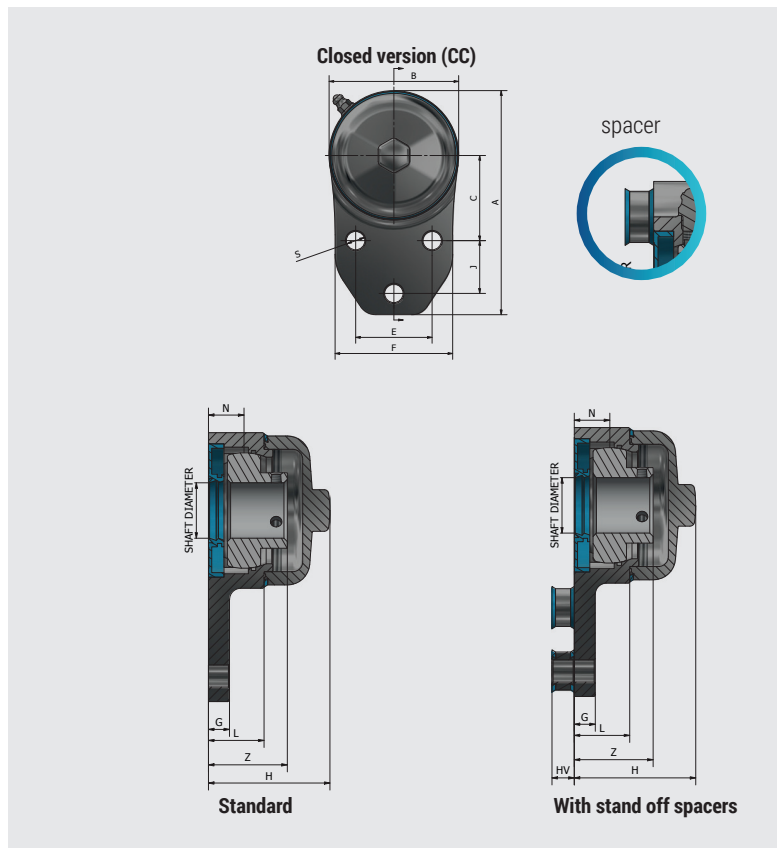


Stainless Steel SA insert, with eccentric ring

Available on request



DH LASS SB FB EQM HYGIENE 3 HOLE SS FLANGED UNITS



TYPE	SHAFT Ø	A	B	C	E	F	G	H	HV	J	L	N	S	Z
DH LASS SB FB CC 204	20	108	65	43,3	38,1	60,3	8	54,2	10	22	24	15	10	33
DH LASS SB FB CO 204								51,9						
DH LASS SB FB CC 205	25	121	70	46	41,3	63,5	9,5	54,7	10	28,5	25	16	10	35,5
DH LASS SB FB CO 205								52,9						
DH LASS SB FB CC 206	30	137	80	52,4	47,6	70	9,5	61	10	31,7	29	18	10	40
DH LASS SB FB CO 206								58,7						
DH LASS SB FB CC 207	35	156	90	60,3	50,8	83	12,7	64,7	10	31,7	31	19	13	42,5
DH LASS SB FB CO 207								62,4						
DH LASS SB FB CC 208	40	164	100	60,3	50	78	15,9	70	10	41,3	33	21	12	46
DH LASS SB FB CO 208								70,7						
DH LASS SB FB CC 209	45	176	110	65	54	80	18,3	71,5	10	42,9	33	22	12	53,7
DH LASS SB FB CO 209								69,2						
DH LASS SB FB CC 210	50	190	120	74,6	70	102	12,7	71	10	41,3	38	22	13	55
DH LASS SB FB CO 210								72,5						



Stainless Steel SB insert, with grub screw



Stainless Steel SA insert, with eccentric ring

Available on request

* All sizes in mm

For spacers see page 10



DH LASS Bearing Load **EQM HYGIENE BEARINGS**

DH LASS SA F EQM HYGIENE 4 HOLE SS FLANGED UNITS

type of load	204	205	206	207	208	209	210
	15950	13000	18000	18500	19100	19350	19650
	10250	12150	17700	18500	19250	19350	19620
	3650	3350	3350	3520	3790	3850	3990

DH LASS SA FL EQM HYGIENE 2 HOLE SS FLANGED UNITS

type of load	204	205	206	207	208	209	210
	11750	11375	16450	16900	17350	17600	17950
	11000	13850	13350	13950	14050	14300	14550
	8500	1100	14200	14900	15150	15350	15650

DH LASS SA FB EQM HYGIENE 3 HOLE SS FLANGED UNITS

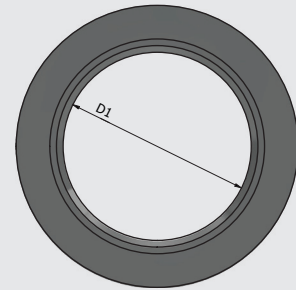
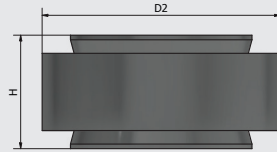
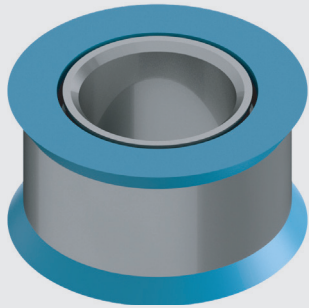
type of load	204	205	206	207	208	209	210
	-	-	-	7200	9100	12200	12900
	-	-	-	9200	11100	11800	11900
	-	-	-	2600	2800	2900	3100



loads in N



DH LASS BUS EQM HYGIENE SPACERS



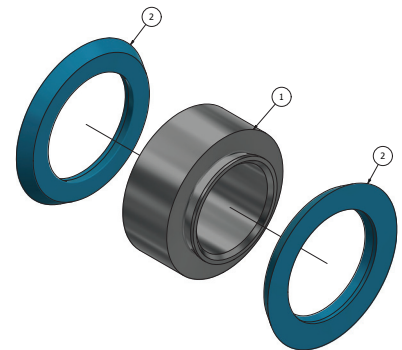
Bearing type	Spacer type	QTY	Hygienic ring	D1	D2	H
DHLASS F 204	DHLASS BUS 11 18 10	4	DHRGS 16	11	18	10
DHLASS F 205	DHLASS BUS 11 18 10		DHRGS 16	11	18	10
DHLASS F 206	DHLASS BUS 11 18 10		DHRGS 16	11	18	10
DHLASS F 207	DHLASS BUS 11 18 10		DHRGS 16	11	18	10
DHLASS F 208	DHLASS BUS 14 21 10		DHRGS 19	14	21	10
DHLASS F 209	DHLASS BUS 16 23 10		DHRGS 21	16	23	10
DHLASS F 210	DHLASS BUS 16 23 10		DHRGS 21	16	23	10

DHLASS FL 204	DHLASS BUS 13 20 10	2	DHRGS 18	13	20	10
DHLASS FL 205	DHLASS BUS 16 23 10		DHRGS 21	16	23	10
DHLASS FL 206	DHLASS BUS 16 23 10		DHRGS 21	16	23	10
DHLASS FL 207	DHLASS BUS 16 23 10		DHRGS 21	16	23	10
DHLASS FL 208	DHLASS BUS 16 23 10		DHRGS 21	16	23	10
DHLASS FL 209	DHLASS BUS 19 26 10		DHRGS 24	19	26	10
DHLASS FL 210	DHLASS BUS 19 26 10		DHRGS 24	19	26	10

DHLASS FB 204	DHLASS BUS 10 17 10	3	DHRGS 15	10	17	10
DHLASS FB 205	DHLASS BUS 10 17 10		DHRGS 15	10	17	10
DHLASS FB 206	DHLASS BUS 10 17 10		DHRGS 15	10	17	10
DHLASS FB 207	DHLASS BUS 13 20 10		DHRGS 18	13	20	10
DHLASS FB 208	DHLASS BUS 13 20 10		DHRGS 18	13	20	10
DHLASS FB 209	DHLASS BUS 13 20 10		DHRGS 18	13	20	10
DHLASS FB 210	DHLASS BUS 13 20 10		DHRGS 18	13	20	10



Hygienic seal
*2 seals per spacer



Number	Part
1	Spacer
2	DHRGS Ring



INSTALLATION GUIDE

Bearing size	DH LASS F	DH LASS FL	DH LASS FB
	G		
204	15	11	8
205	15	13	9,5
206	15	13	9,5
207	17	15	12,7
208	17	15	15,9
209	18	16	18,3
210	20	16	12,7

Bearing size	DH LASS F	DH LASS FL	DH LASS FB
	B / N		
204	M10	M10	M8
205	M10	M14	M8
206	M10	M14	M8
207	M10	M14	M12
208	M12	M14	M10
209	M14	M18	M10
210	M14	M18	M12

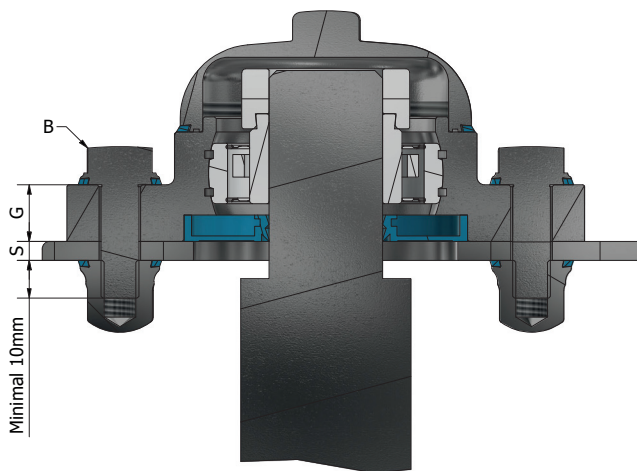
Bearing size	DH LASS F	DH LASS FL	DH LASS FB
	L		
204	10	10	10
205	10	10	10
206	10	10	10
207	10	10	10
208	10	10	10
209	10	10	10
210	10	10	10

For bolts and nuts see

For spacers see page 10

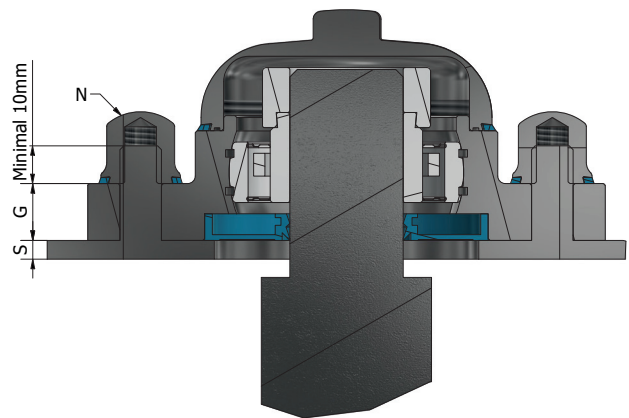
Bolt + nut configuration

Bolt length = 10 + S + G



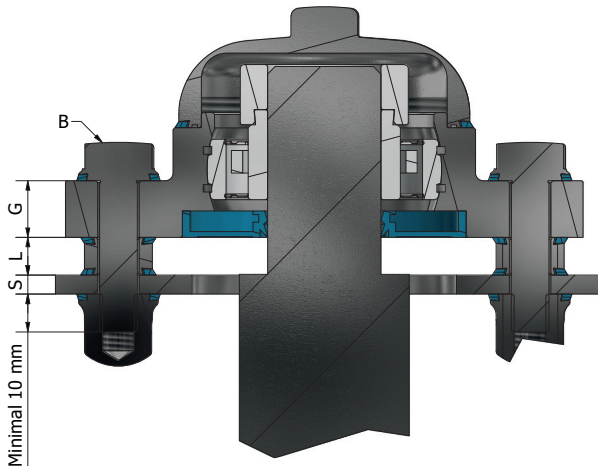
Threaded rod + nut configuration

Rod length = 10 + G



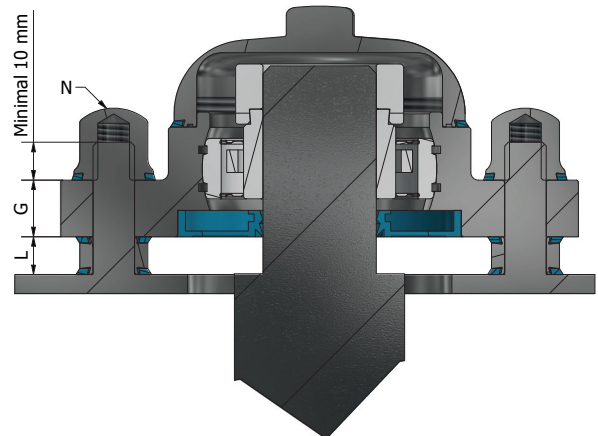
Bolt + spacer + nut configuration

Bolt length = 10 + S + L + G



Threaded rod + spacer + nut configuration

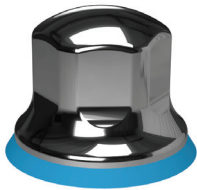
Rod length = 10 + G + L



All sizes in mm



STAINLESS STEEL HYGIENE PARTS



DH100 F Hygienic Stainless Steel Nut



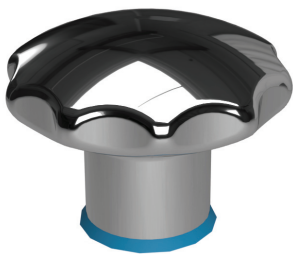
DH200 Hygienic Stainless Steel U-Handle



DH100 Hygienic Stainless Steel Bolt



DH302 Hygienic Stainless Steel Four Lobe Knob



DH300 Hygienic Stainless Steel Starknob



DH301 Hygienic Stainless Steel Three Lobe Knob

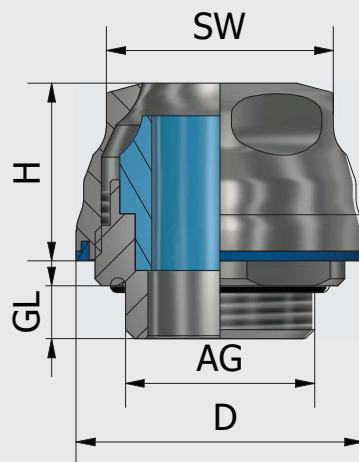


DH303 Hygienic Stainless Steel
Waist Shaped Knob - Female



EQM HYGIENE STAINLESS STEEL CABLE GLANDS

HGSS - SERIE

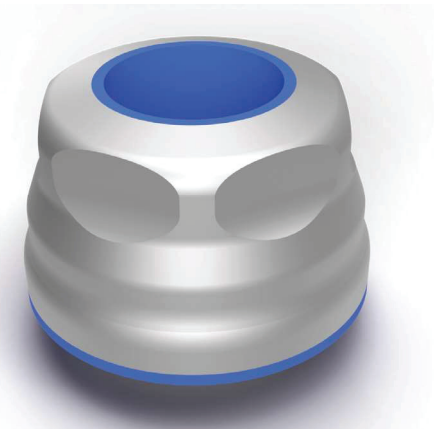


The Stainless 316 hygienic cable glands offer a hygienic and IP69 connection from your cable into the cabinet or terminal box. Standard these glands offer EMC shield connection. The wide selection of possible cable diameter offers a solution for almost every cable.



Part Name	Cable diameter	D	AG	H	GL
HGSSM12	5 - 6.5	21	M12 x 1.5	19	6
HGSSM16	7.5 - 10	27	M16 x 1.5	20	6
HGSSM16	6 - 7.5	27	M16 x 1.5	20	6
HGSSM16	11 - 13.5	33	M16 x 1.5	20	6
HGSSM20	9 - 12	33	M20 x 1.5	22.5	6
HGSSM25	15 - 18	38	M25 x 1.5	23.5	7
HGSSM25	14 - 16	38	M25 x 1.5	23.5	7
HGSSM32	21 - 25	45	M32 x 1.5	26.5	8
HGSSM32	18 - 21	45	M32 x 1.5	26.5	8

• All sizes in **mm**





EQMHYGIENE

Optimising food safety

518 Omahu Road
PO Box 2162 Stortford Lodge
Hastings 4153
New Zealand

Freephone: 0800 147 847

Phone: +64 6 878 8475

Fax: +64 6 878 8472

Email: sales@eqm.co.nz

www.eqm.co.nz